

PIEZO SENSOR—PS-200A1



1. Application

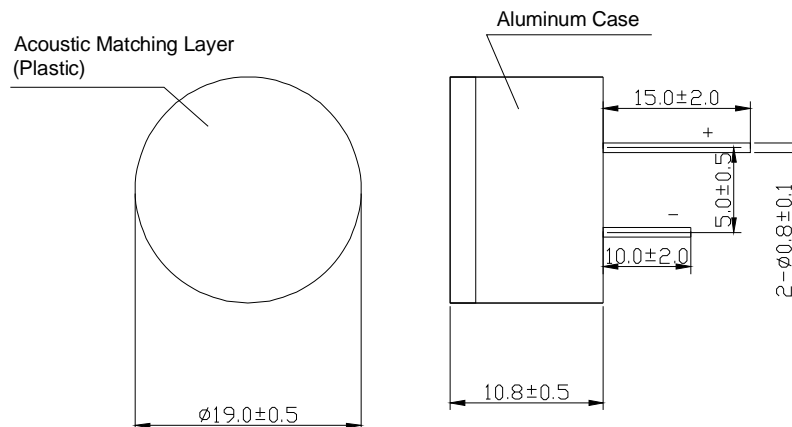
Used as Transmitter and receiver of Ultrasonic for Remote controls of Home appliance and Electric devices; Distance measurement; Parking aid system; proximity switch; liquid level measurement; Open channel flow; Robotics;Obstacle avoidance.

2.Specifications

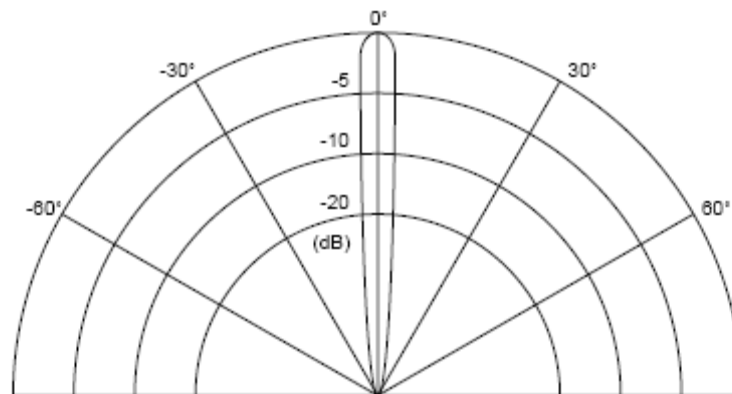
Center Frequency (KHz)	200.0±20
Bandwidth(-6dB)	20KHz
Receiving Sensitivity at 20cm	-56 dB
Range(m)	0.2-1.2
Resolution	2mm
Capacitance (at1KHz ±25%)	400pF
Max.Driving Voltage(cont)	60
Total Beam Angle	-7 typical
Weight	6.5g
Operation Temperature	-20-70℃
Storage Temperature	-30-80℃

3.Appearance Drawing

Tolerance: ±0.5



4. Directivity in overall sensitivity



5. Test Conditions

Standard Test Condition a) Temperature: +5 ~ +35°C b) Humidity: 45 - 85% c) Pressure: 860-1060 mbar

Judgement Test Condition a) Temperature: +25 ±2°C b) Humidity: 60 - 70% c) Pressure: 860-1060 mbar